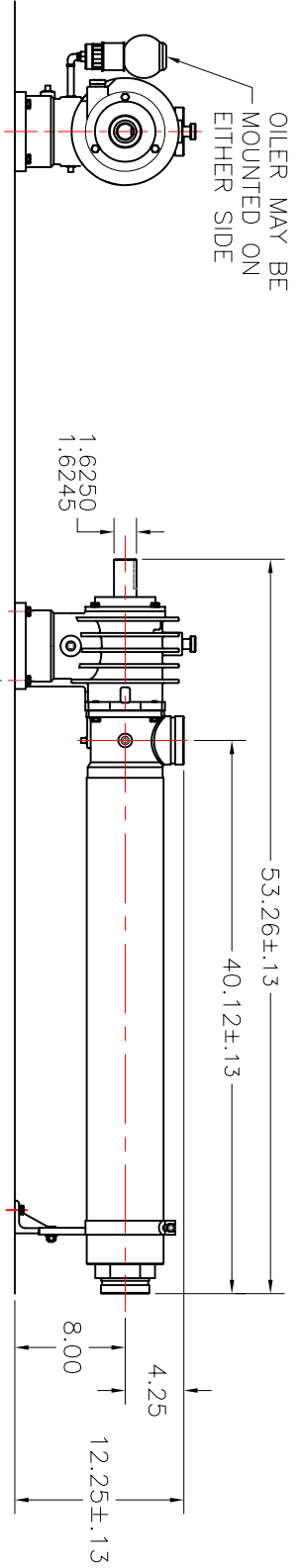
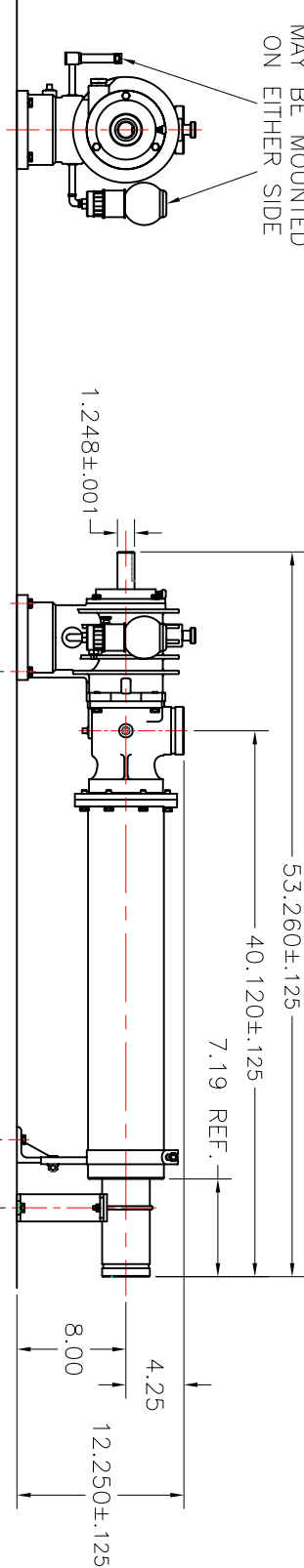


OILER MAY BE MOUNTED ON EITHER SIDE

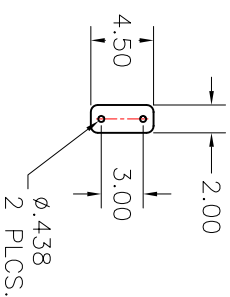
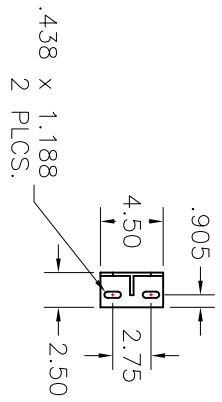
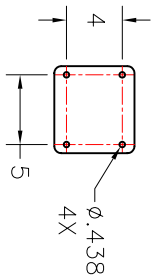


TONKA FLO  
SS5516E

OILER/SIGHT GLASS MAY BE MOUNTED ON EITHER SIDE



T&T PUMP  
NH76T3F15



- NOTES:
1. DIMENSIONS ARE IN INCHES. DIMENSIONS ARE FOR REFERENCE UNLESS NOTED.
  2. INLET CONNECTION MATES WITH 3" VICTAULIC TYPE CLAMPED UNION.
  3. DISCHARGE CONNECTION MATES WITH 3" VICTAULIC TYPE CLAMPED UNION.



UNLESS OTHERWISE NOTED LINEAR DIMS. IN INCHES. TOLERANCES DECIMAL FRACTIONS ANGULAR DO NOT SCALE DRAWING		T&T PUMP CO. INC. FAIRHURST, WV 26554	
DRAWN	CWR	12-18-07	DRAWING TITLE NH76T3F15 TO SS5516E COMPARISON
CHECK			
DESIGN			
ENGR			SCALE non-RELEASE DATE 5-27-08 Sheet 1 of 1