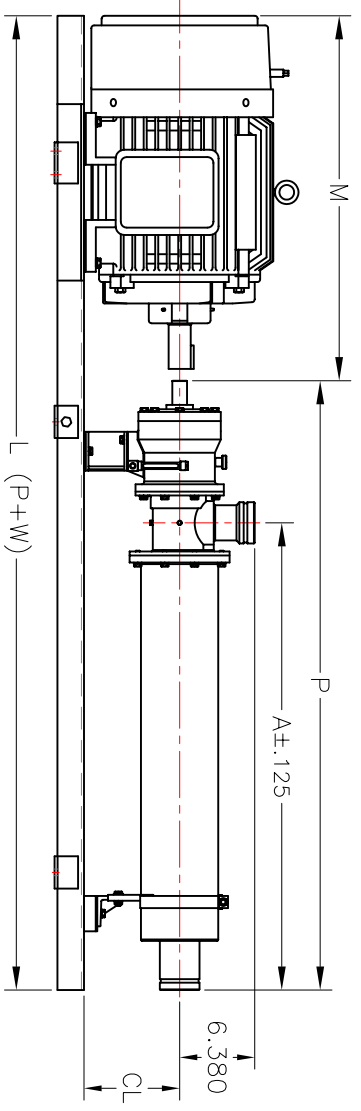
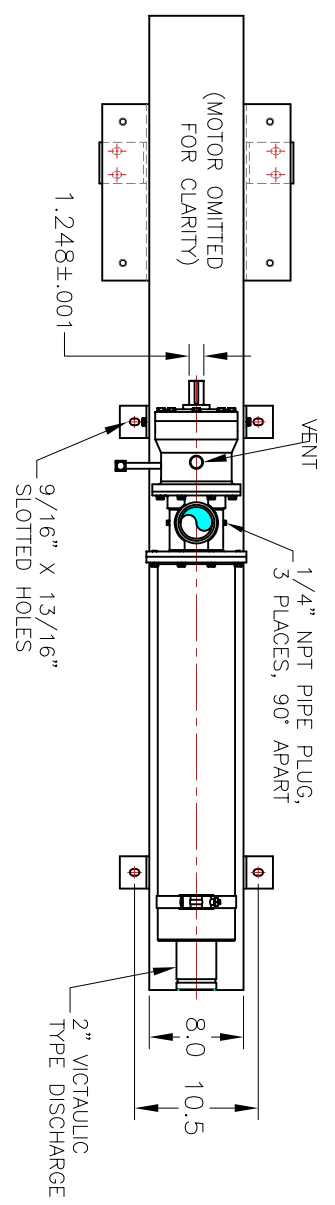
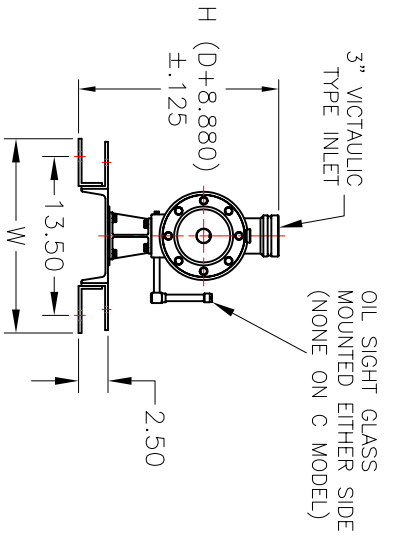



GO TO [WWW.TANDIPUMP.COM](http://WWW.TANDIPUMP.COM) OR CONTACT T&T PUMP FOR DETAILED LAYOUTS OF SPECIFIC APPLICATIONS



HP	NEMA FRAME	CL	M	W
10	215T	6.375	20.1	16.5
15	254T	6.375	23.3	16.5
20	256T	6.375	25.1	16.5
25	284TS	7.125	27.0	16.5
30	286TS	7.125	28.5	16.5
40	324TS	8.125	31.0	16.5
50	326TS	8.125	31.0	16.5
60	364TS	9.125	33.1	16.5
75	365TS	9.125	33.1	21.3
100	405TS	10.125	38.0	23.0
125	444TS	11.125	43.3	25.0

MODEL	A	P
NH82_1	10.86	22.94
NH82_2	12.96	25.04
NH82_3	15.06	27.14
NH82_4	17.16	29.23
NH82_5	19.26	31.33
NH82_6	21.35	33.43
NH82_7	23.45	35.53
NH82_8	25.55	37.63
NH82_9	27.65	39.72
NH82_10	29.75	41.83
NH82_11	31.84	43.92
NH82_12	33.94	46.02
NH82_13	36.04	48.12
NH82_14	38.14	50.63
NH82_15	40.24	52.73

- NOTES:
1. THIS CATALOG IS INTENDED FOR PRELIMINARY ESTIMATION ONLY.
  2. DIMENSIONS (INCHES) ARE FOR REFERENCE ONLY UNLESS NOTED.
  3. TO CALCULATE TOTAL LENGTH "L", ADD DIMENSIONS P+M.
  4. TO CALCULATE TOTAL HEIGHT "H", ADD DIMENSIONS CL+8.880.
  5. FOR PUMP LENGTHS NOT LISTED, EACH STAGE IS 2.098".
  6. A "D" BEARING FRAME IS DEPICTED IN THIS DRAWING.
  7. MOTOR COUPLER AND SHIELD OMITTED FOR CLARITY.



**T&T PUMP**

UNLESS OTHERWISE NOTED LINEAR DIMS. IN INCHES. TOLERANCES DECIMAL FRACTIONS ANGULAR ±.0004 ±.0004 ±.0004 DO NOT SCALE DRAWING	DRAWN CWR 6-4-08 CHECK DESIGN	DRAWING TITLE <b>NH82_3F OUTLINE</b> CAD FILE <b>NH82_3F OUTLINE</b>
T&T PUMP CO., INC. FAIRHURST, WV 26554		SCALE: none/RELEASE DATE: 6-4-08 Sheet 1 of 1