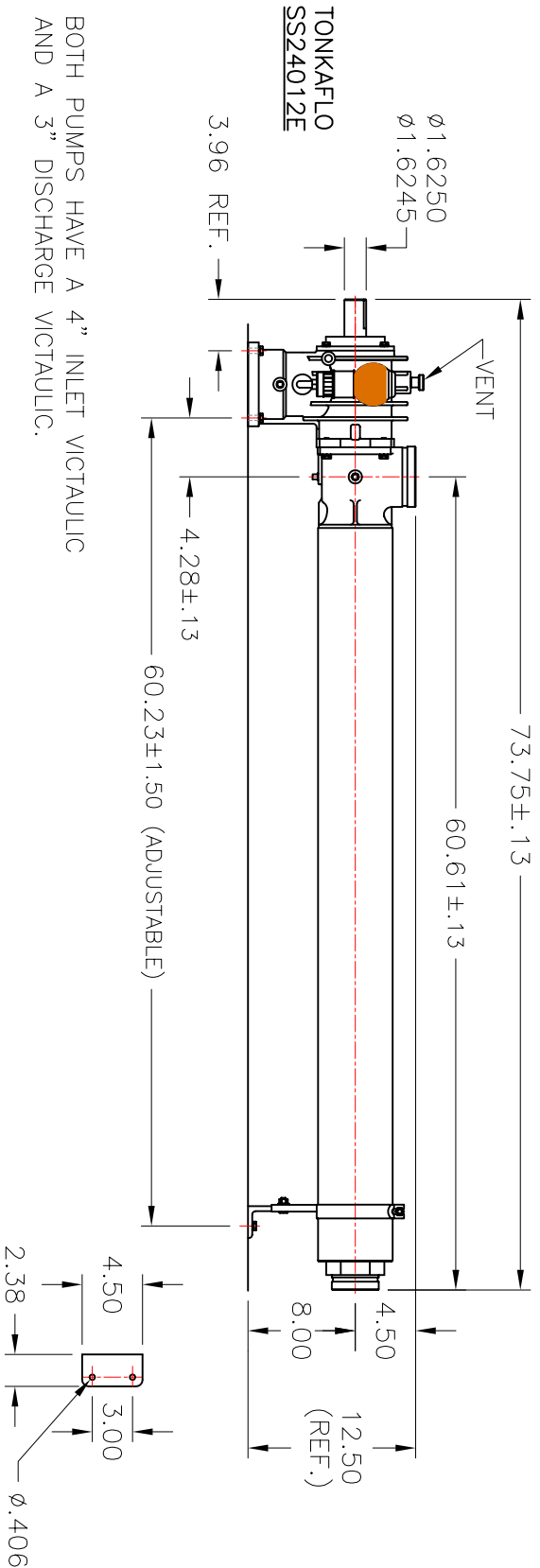
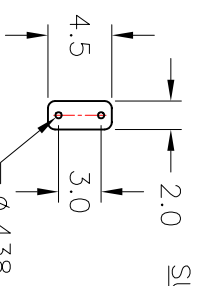
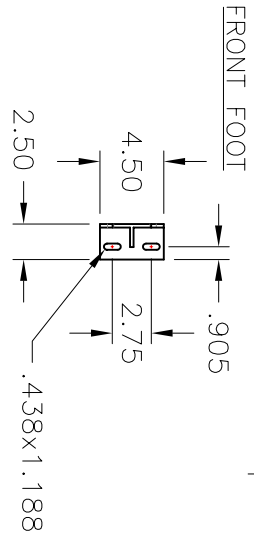
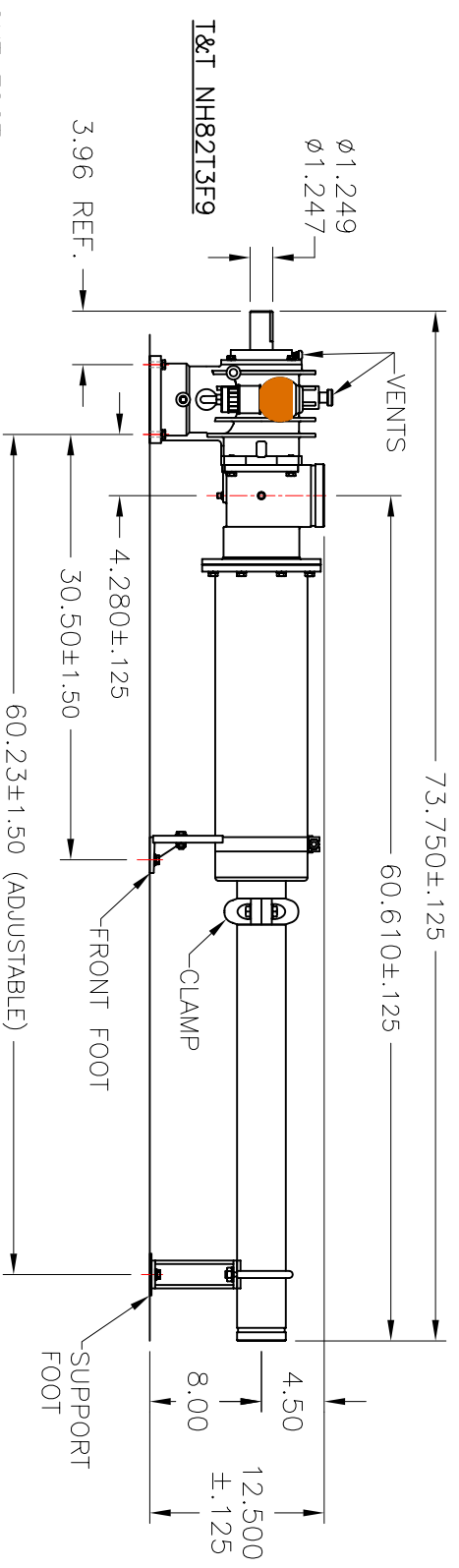



GO TO WWW.TANDTPUMP.COM OR CONTACT T&T PUMP FOR DETAILED LAYOUTS OF SPECIFIC APPLICATIONS



BOTH PUMPS HAVE A 4" INLET VICTAULIC AND A 3" DISCHARGE VICTAULIC.





<small>UNLESS OTHERWISE NOTED LINEAR DIMS. IN INCHES. TOLERANCES DECIMAL XXX+/-. FRACTIONAL XXX+/-. ANGULAR DO NOT SCALE DRAWING</small>		<small>T&T PUMP CO., INC. FAIRHONT, WV 26554</small>	
DRAWN	CWR	DATE	DRAWING TITLE
CHECK		9-23-08	SS24012E TO NH82T3F9 COMPARISON
DESIGN		A	
ENGR			
SCALE		CAD file	
nominal/RELEASE DATE 9-23-08		Sheet 1 of 1	