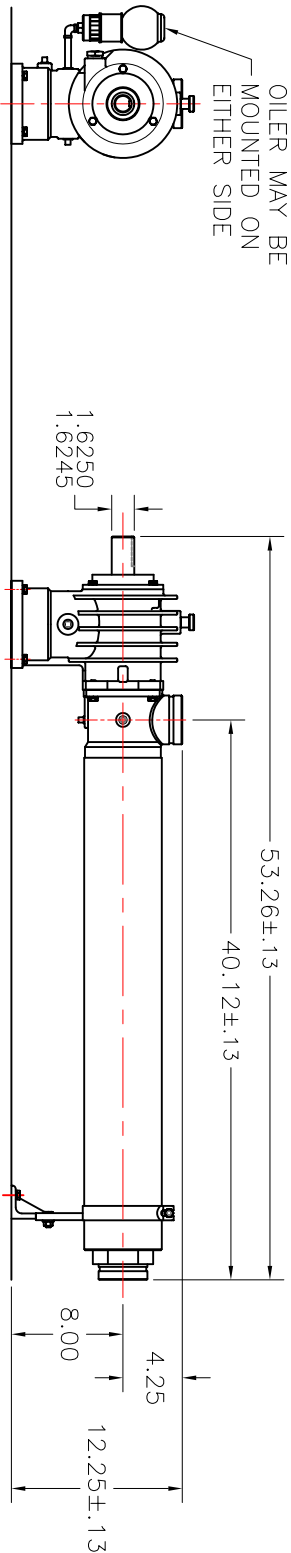
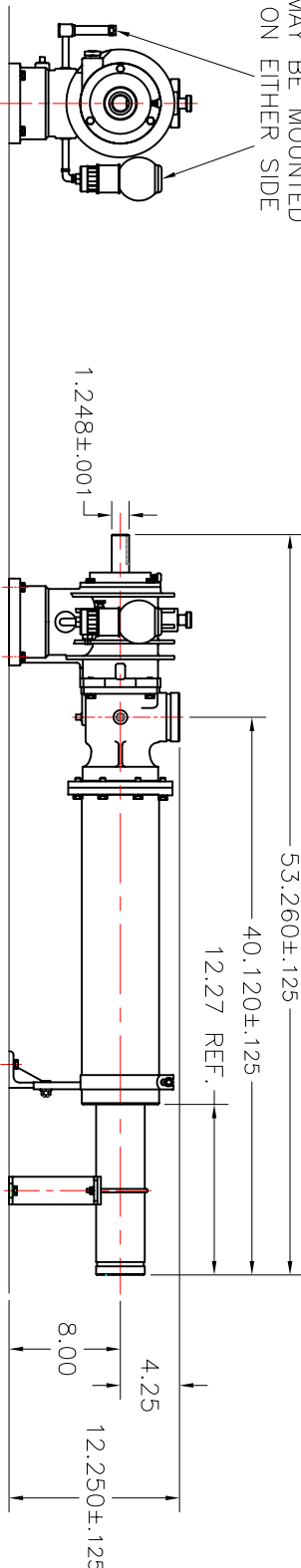


OILER MAY BE MOUNTED ON EITHER SIDE

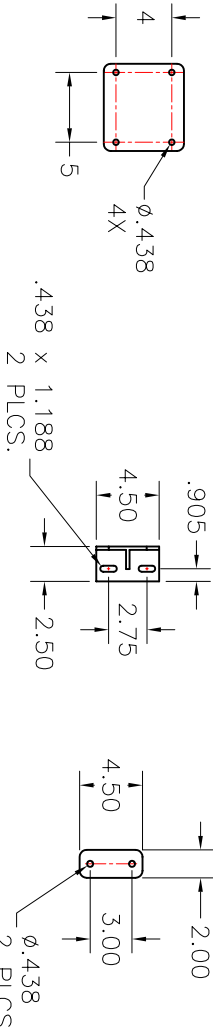


TONKAFLO  
SS5516E

OILER/SIGHT GLASS MAY BE MOUNTED ON EITHER SIDE



T&T PUMP  
NH76T4F12



NOTES:

1. DIMENSIONS ARE IN INCHES. DIMENSIONS ARE FOR REFERENCE UNLESS NOTED.
2. INLET CONNECTION MATES WITH 3" VICTAULIC TYPE CLAMPED UNION.
3. DISCHARGE CONNECTION MATES WITH 3" VICTAULIC TYPE CLAMPED UNION.



UNLESS OTHERWISE NOTED LINEAR DIMS. IN INCHES. TOLERANCES PER ANSI Y14.5		T&T PUMP CO., INC. FAIRBURN, WV 26554	
DRAWN	CWR	CHECKED	12-18-07
DESIGN		DATE	
ENGR		SCALE	AS SHOWN
DRAWING TITLE		NH76T4F12 TO	
SS5516E COMPARISON		CAD FILE	
		NH76T4F12 TO SS5516E COMPARISON	
		SCALE AND RELEASE DATE 5-27-09 Sheet 1 of 1	