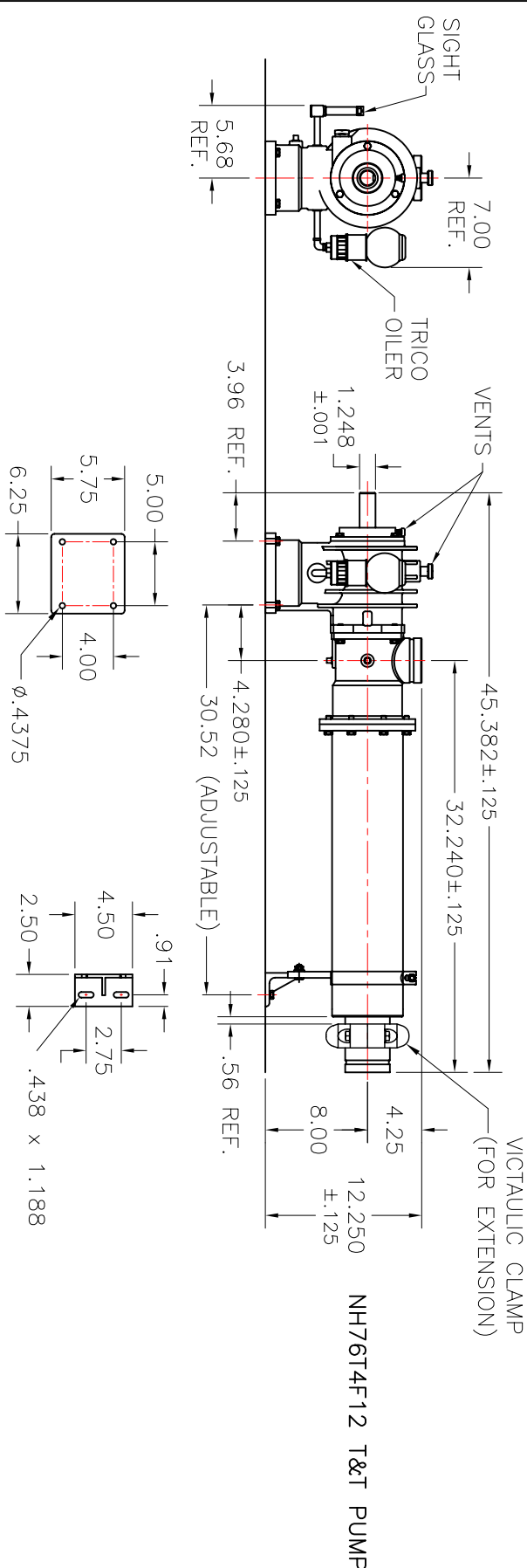


SS8512E TONKAFL0 PUMP



NH76T4F12 T&T PUMP

NOTE: BOTH PUMPS HAVE A 3" VICTAULIC INLET AND A 3" VICTAULIC DISCHARGE



UNLESS OTHERWISE NOTED LINEAR DIMS. IN INCHES. TOLERANCES DECIMAL FINISH ANGULAR		T&T Pump Co., Inc. Fairmont, WV 26554	
DO NOT SCALE DRAWING	±.0004/-	±.0004/-	±.0004/-
DRAWING NO.	CWR	DATE	SCALE
DESIGN	4-28-08	NH76T4F12 VS SS8512E COMPARISON	Sheet 1 of 1
CHKD			
ENGR			