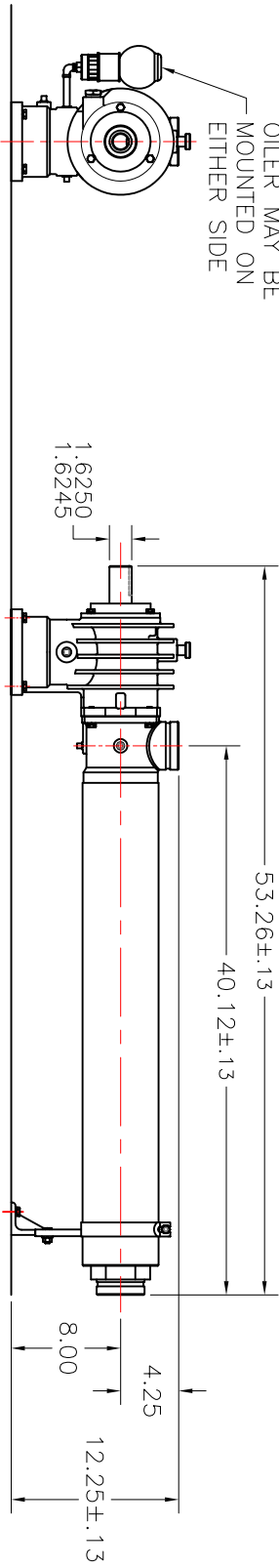
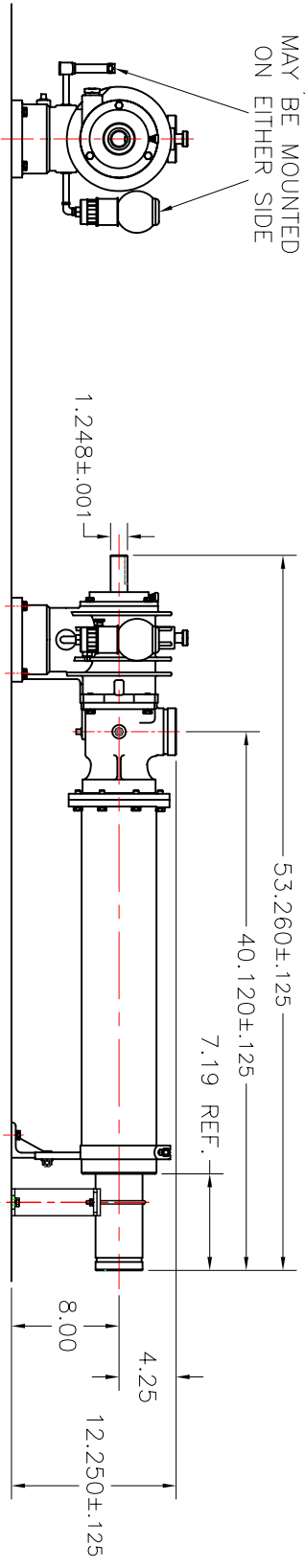


OILER MAY BE MOUNTED ON EITHER SIDE

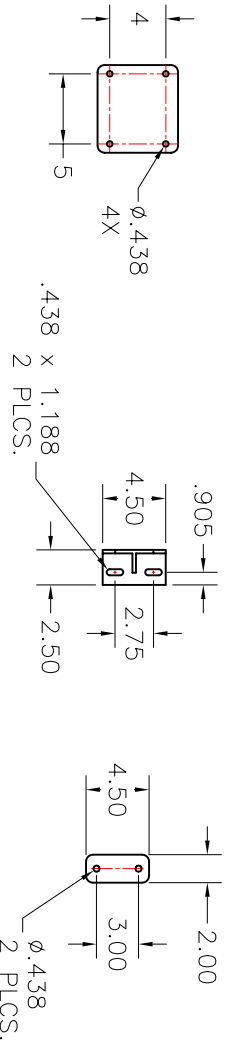


TONKAFLO
SS8516E

OILER/SIGHT GLASS MAY BE MOUNTED ON EITHER SIDE



T&T PUMP
NH7614F15



NOTES:

1. DIMENSIONS ARE IN INCHES. DIMENSIONS ARE FOR REFERENCE UNLESS NOTED.
2. INLET CONNECTION MATES WITH 3" VICTAULIC TYPE CLAMPED UNION.
3. DISCHARGE CONNECTION MATES WITH 3" VICTAULIC TYPE CLAMPED UNION.



UNLESS OTHERWISE NOTED LINEAR DIMS. IN INCHES. TOLERANCES DECIMAL FRACTIONS ANGULAR XXX/- DO NOT SCALE DRAWING		T&T PUMP CO., INC. FAIRHORN, WV 26554	
DRAWN	CWR	12-19-97	DRAWING TITLE
CHECK			NH7614F15 TO
DESIGN			SS8516E COMPARISON
ENGR			SS8516E COMPARISON
SCALE		normal	RELEASE DATE 5-27-98 Sheet 1 of 1