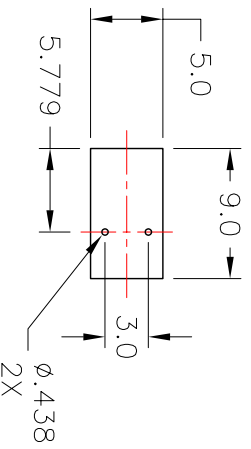
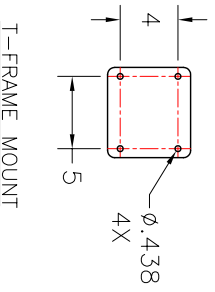
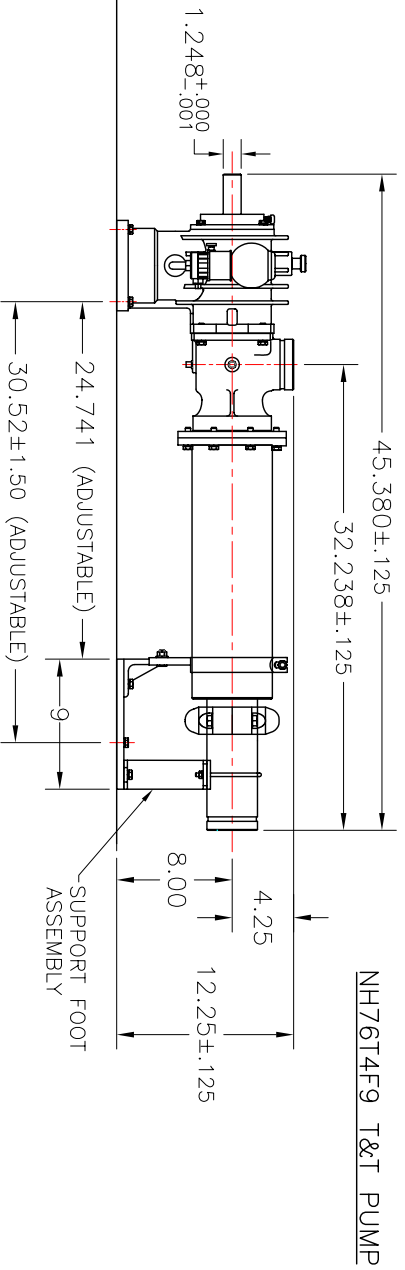



OILER/SIGHT GLASS
MAY BE MOUNTED
ON EITHER SIDE



NOTE: BOTH PUMPS HAVE A 3"
VICTAULIC INLET AND A 3"
VICTAULIC DISCHARGE

		UNLESS OTHERWISE NOTED	
		LIMITS DIMENSIONS	
TOLERANCES DECIMAL		FRACTIONS	
X +/-		X +/-	
XXXX/-		ANGULAR	
DO NOT SCALE DRAWING		+	
Drawing no.		Drawing no.	
DRAWN	CWR	7-31-08	
CHECK			
DESIGN			
ENGR			
DRAWING TITLE		T&T PUMP Co. Inc. FAIRHONT, WV 26554	
NH7614F9 TO		SS5512E COMPARISON	
SS5512E COMPARISON		SS5512E COMPARISON	
SCALE		CAD file	
NH7614F9 TO SS5512E COMPARISON		NH7614F9 TO SS5512E COMPARISON	
SCALE non-RELEASE DATE 7-31-08		Sheet 1 of 1	