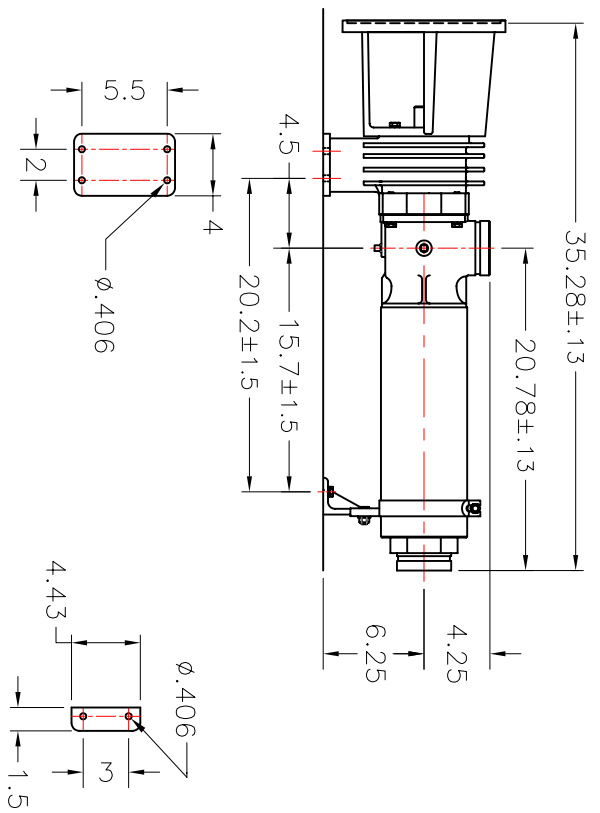
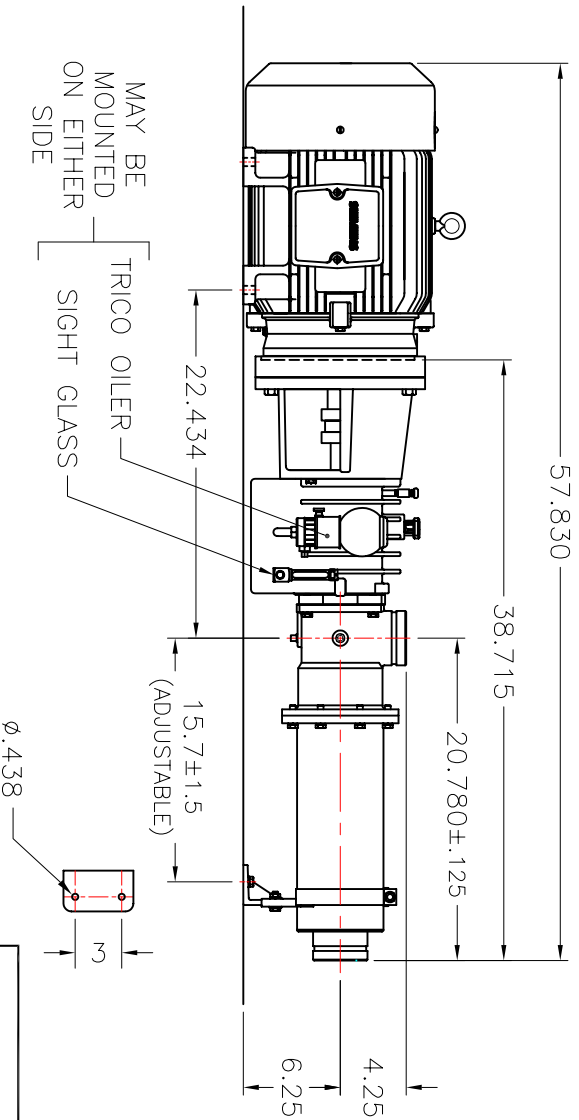


- NOTES:
1. BOTH PUMPS HAVE A 3" VICTAULIC INLET AND A 3" VICTAULIC DISCHARGE.
 2. MOTOR SHOWN IS A 254TC.
 3. DIMENSIONS ARE FOR REFERENCE UNLESS OTHERWISE NOTED.



SS12504D
TONKAFL0 PUMP



NH80K2F4E15A
T&T PUMP

MAY BE MOUNTED ON EITHER SIDE

TRICO OILER
SIGHT GLASS

15.7±1.5
(ADJUSTABLE)

φ.438



UNLESS OTHERWISE NOTED
LINEAR DIMS IN INCHES
TOLERANCES DECIMAL
FRACTIONS ANGULAR
±.004/-
DO NOT SCALE DRAWING

T&T PUMP CO. INC. FAIRMONT, WV 26554
DRAWING TITLE
NH80K2F4E15A TO
SS12504D COMPARISON
DRAWN CWR 8-18-09
CHECK
DESIGN
ENGR
SCALE none/RELEASE DATE 8-18-09 Sheet 1 of 1