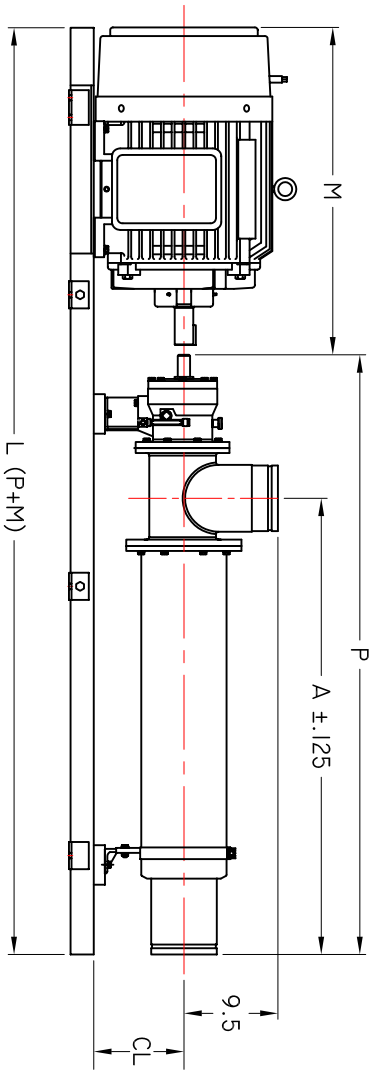
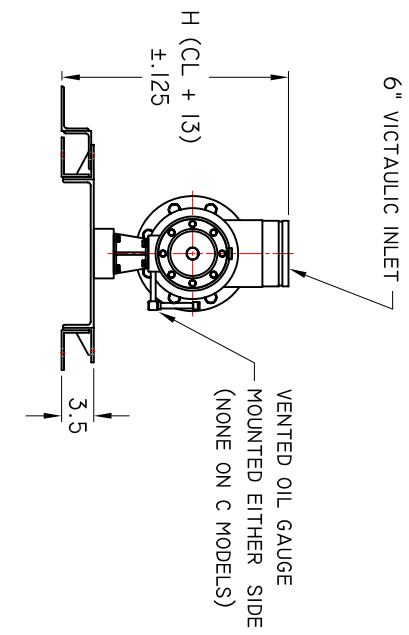
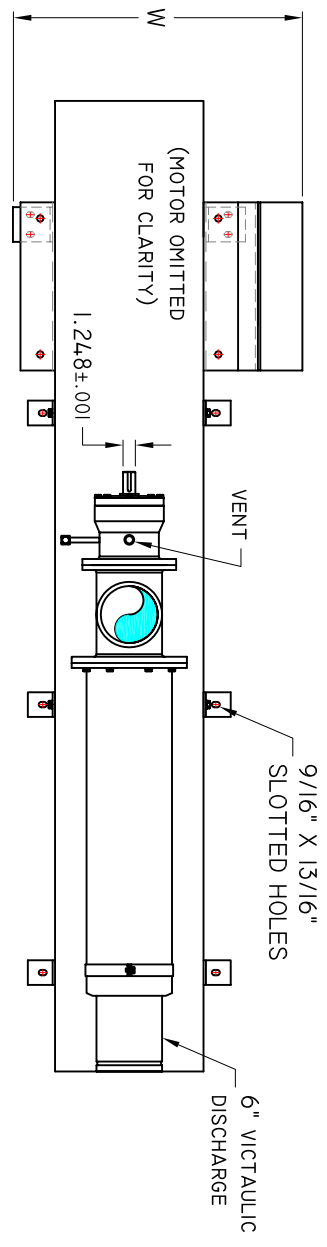



GO TO [WWW.TANDPUMP.COM](http://WWW.TANDPUMP.COM) OR CONTACT T&T PUMP FOR DETAILED LAYOUTS OF SPECIFIC APPLICATIONS



MODEL	A	P
NH83_1100_1	20.90	35.33
NH83_1100_2	27.83	42.26
NH83_1100_3	34.76	49.19
NH83_1100_4	41.69	56.12
NH83_1100_5	48.62	63.05
NH83_1100_6	55.55	69.98
NH83_1100_7	56.39	76.91
NH83_1100_8	62.51	83.84
NH83_1100_9	76.34	90.77
NH83_1100_10	83.27	97.67

HP	NEMA FRAME	CL	M	W
30	286TS	8.125	28.5	23.5
40	324TS	8.125	31.0	23.5
50	326TS	8.125	31.0	23.5
60	364TS	9.125	33.1	20.5
75	365TS	9.125	33.1	27
100	405TS	10.125	38.0	27
125	444TS	11.125	43.3	30
150	445TS	11.125	44.3	30
200	447TS	11.125	47.9	30
250	449TS	11.125	52.8	30
300	449TS	11.125	52.8	30

- NOTES:
1. THIS CATALOG IS INTENDED FOR PRELIMINARY ESTIMATION ONLY.
  2. DIMENSIONS (INCHES) ARE FOR REFERENCE ONLY UNLESS NOTED.
  3. TO CALCULATE TOTAL LENGTH "L", ADD DIMENSIONS P+M.
  4. TO CALCULATE TOTAL HEIGHT "H", ADD DIMENSIONS CL+13.
  5. FOR PUMP LENGTHS NOT LISTED, EACH STAGE IS 6.929"
  6. MOTOR COUPLER AND SHIELD OMITTED FOR CLARITY.



**T&T PUMP CO. INC.**

<p>UNLESS OTHERWISE NOTED          LINEAR DIMS. IN INCHES.          TOLERANCES: DECIMAL          .xxx+-          .xx+-          .x+-          ANGULAR          +/-</p> <p>DO NOT SCALE DRAWINGS</p> <p>DRAWING NO. _____          CHECK CWR _____          DESIGN _____          ENGR _____</p>	<p>T&amp;T Pump Co. Inc. FAIRHORN WV 26554</p> <p>DRAWING TITLE  <b>H/NH83 OUTLINE</b>  <b>1100 GPM</b></p> <p>DATE: 6-05-09          DWG SIZE: <b>A</b>          CAD FILE: NH83_1100 OUTLINE</p> <p>SCALE: NONE RELEASE DATE: 6-05-09 SHEET 1 OF 1</p>
---	---