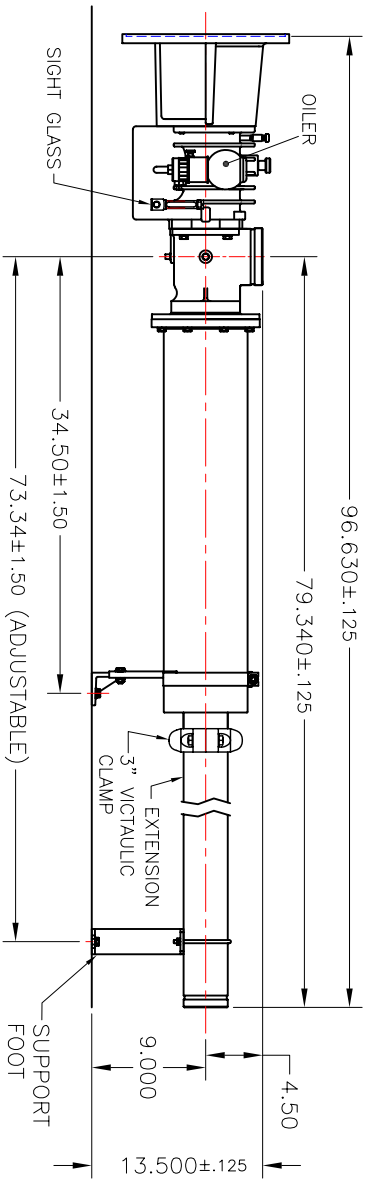
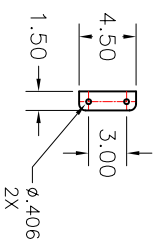
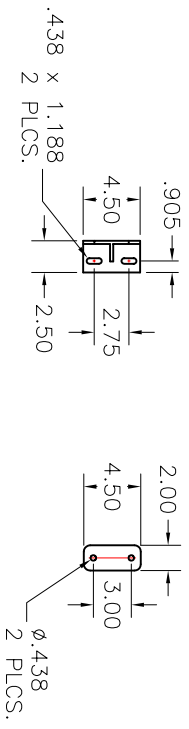


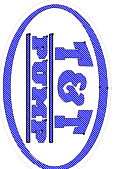
TONKAFLO  
SS24016KZE



T&T PUMP  
NH82K3F13



- NOTES:
1. DIMENSIONS ARE IN INCHES. DIMENSIONS ARE FOR REFERENCE UNLESS OTHERWISE NOTED.
  2. BOTH PUMPS HAVE A 4" INLET AND 3" DISCHARGE VICTAULIC.



**T&T PUMP**

UNLESS OTHERWISE NOTED LINEAR DIMS. IN INCHES TOLERANCES DECIMAL FRACTIONS		DRAWING TITLE NH82K3F13 TO SS24016KZE COMPARISON	
TYPICAL XX/-	TYPICAL XX/-	ANGULAR 4/-	SCALE A
DO NOT SCALE DRAWING	DRAWN CWR	7-16-09	SCALE non-RELEASE DATE 7-16-09 Sheet 1 of 1
DESIGN	CHECK	CAD FILE	SS24016KZE TO NH82K3F13