



T&T Pump Co., Inc.
Fairmont, WV



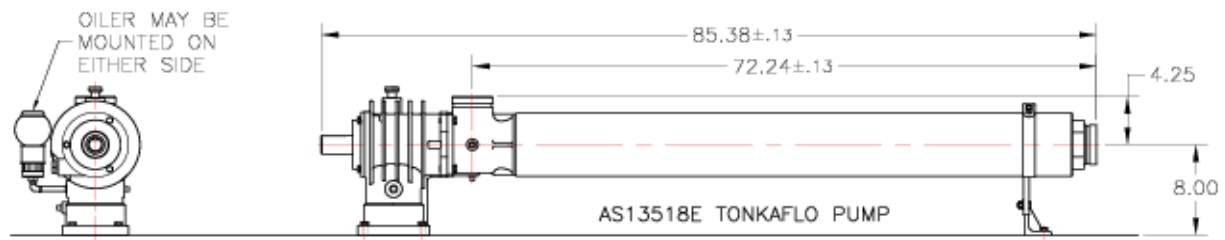
[Home](#) » [About Us](#) » [Multistage Centrifugal Booster Pumps](#) » [Drop-In Replacements](#) » [Repair Services](#) » [Our Customers](#)

Tonkaflo™ Drop-In Replacements

How our pumps compare to TonkaFlo®

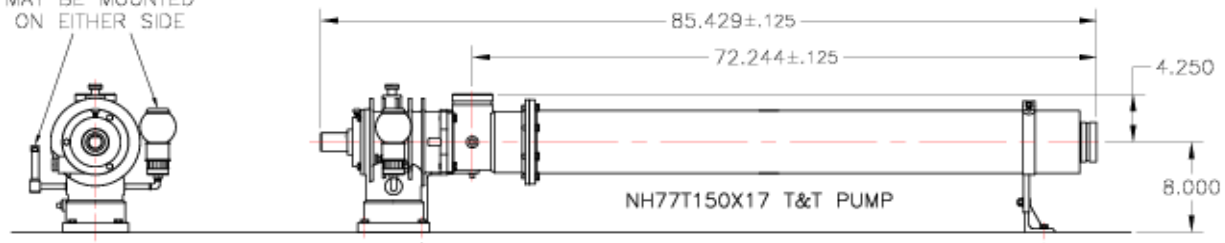
Features	Ours	Theirs
Field Repairable	Yes	No
Drop-In Replacement	Yes	No
Threadless Plugin Shaft	Yes	No
Replacement Cartridge	Yes	No
No Casing Threads	Yes	No
Bearing Isolators	Yes	No
Polished SS Casing	Yes	No
One Piece Casing	Yes	No
Field Service Technician	Yes	No
Service Exchange	Yes	No
Quick In-house Repair	Yes	No

The T&T NH80T2F16 Drop-In for the Tonkaflo™ SS12516E

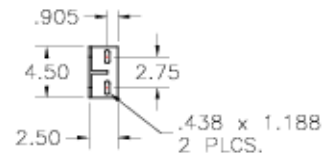


AS13518E TONKAFLO PUMP

OILER/SIGHT GLASS
MAY BE MOUNTED
ON EITHER SIDE



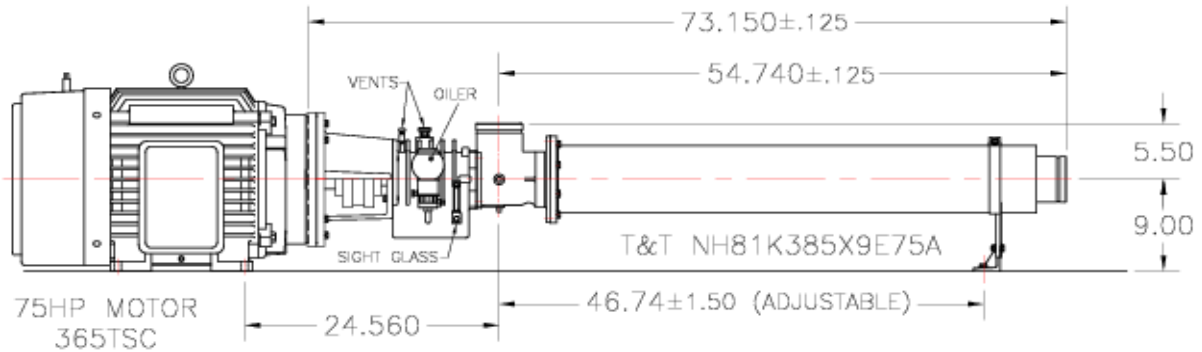
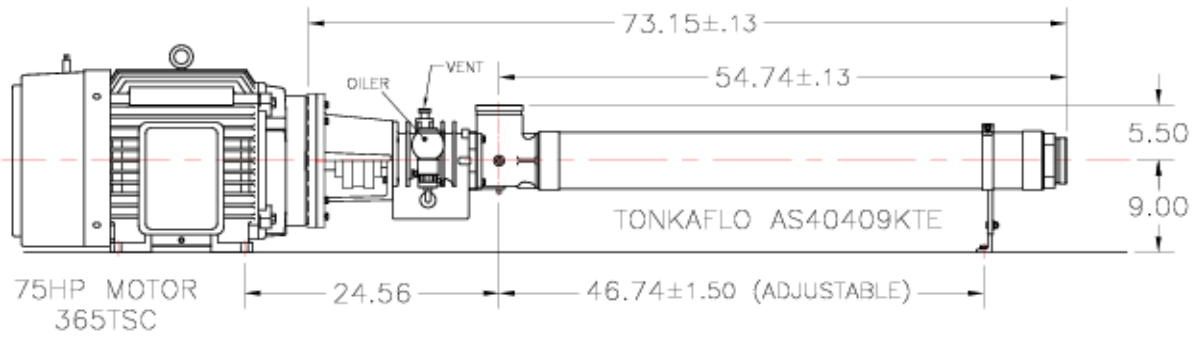
NH77T150X17 T&T PUMP




NOTE:
BOTH PUMPS HAVE A 3" VICTAULIC INLET AND VICTAULIC DISCHARGE.

	<small>UNLESS OTHERWISE NOTED LENGTH DIMS. IN INCHES TOLERANCES DECIMAL 2nd/3rd/4th/5th DIM. NOT SCALE DRAWING STRAIGHT FIN.</small>	<small>T&T Pump Co. Inc. Farmington, NY 12054</small>
	<small>DRAWN: MDE 3-19-08 CHECK: DESIGN: ENGR:</small>	<small>RELEASE DATE 8-19-08</small>
DRAWING TITLE NH77T150X17 TO AS13518E COMPARISON		<small>CAD File</small> NH77T150X17 TO AS13518E COMPARISON
<small>SCALE: none</small>		

The T&T NH81K385X9 Drop-In for the Tonkaflo™ AS40409KTE



BOTH PUMPS HAVE
A 4" INLET AND
DISCHARGE VICTAULIC

	<small>UNLESS OTHERWISE NOTED LENGTHS DIMS. IN INCHES TOLERANCES UNLESS OTHERWISE SPECIFIED FRACTIONS DECIMALS DIMS. NOT SCALE DIMENSIONS DRAWING IN</small>		<small>T&T Pump Co. Inc. Fairport, NY 26554</small>
	<small>DRAWN</small> JCF 18-5-18 <small>CHECK</small> <small>DESIGN</small> <small>ENGR</small>	<small>DATE</small> <small>SCALE</small> none <small>RELEASE DATE</small> 18-5-18	<small>DRAWING TITLE</small> NH81K385X9E75A TO AS40409KTE

You can contact us by phone at 304-366-1300 or by emailing our [sales department](#).

©2019 T & T Pump Co. Inc. » [Terms & Conditions](#) » [Useful links and formuals](#) » [Service Bulletins](#)